

NIST PMI Test Models - 2012

Test Model 2

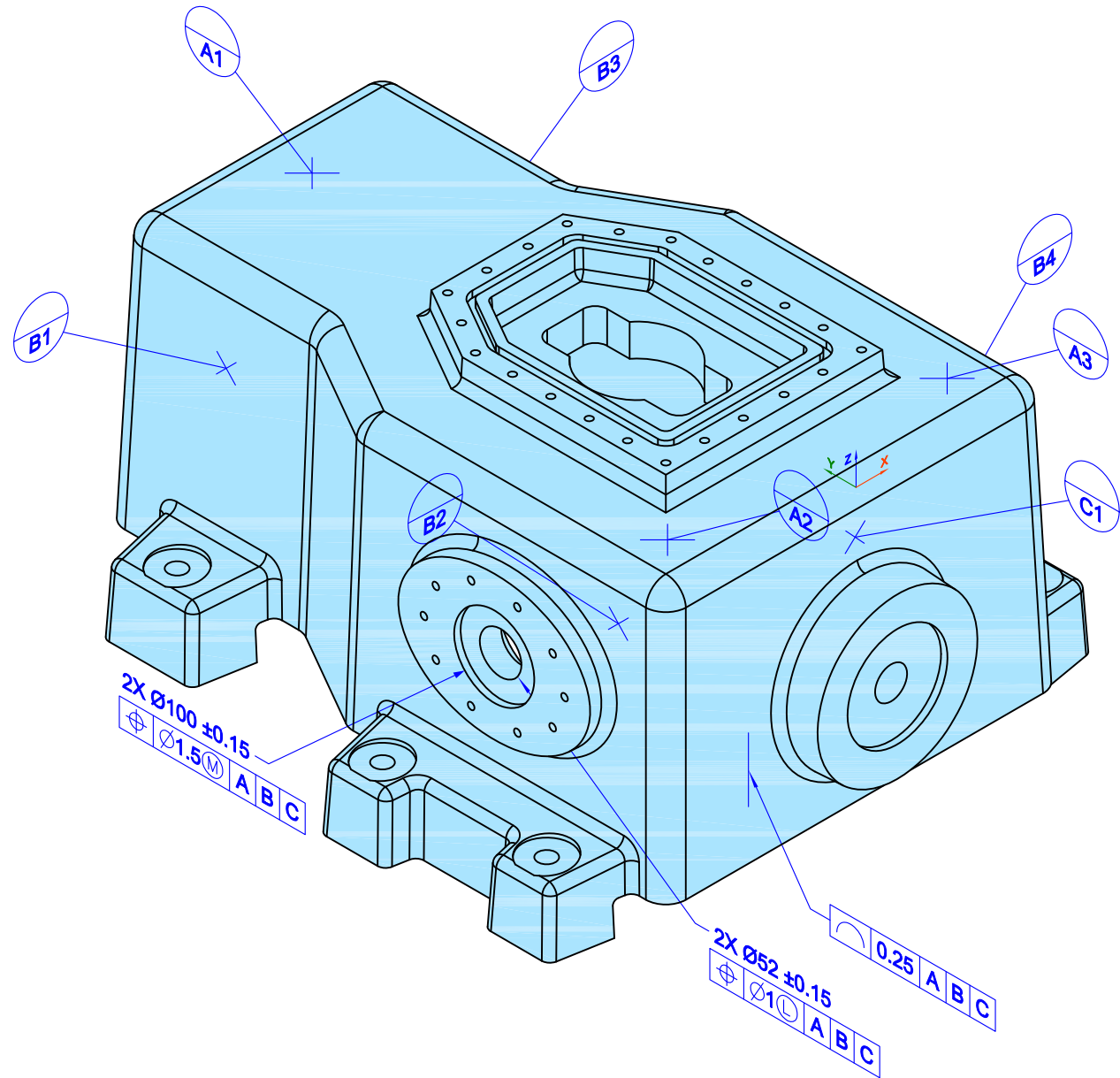
NOTES (UNLESS OTHERWISE SPECIFIED):

1. OBTAIN DIMENSIONS FOR ALL UNDIMENSIONED FEATURES FROM THE MODEL. ALL DIMENSIONS OBTAINED FROM THE MODEL ARE BASIC UNLESS OTHERWISE SPECIFIED.
2. ASME Y14.41-2003 APPLIES TO DATASET.
3. ASME Y14.5M-1994 APPLIES TO DIMENSIONING AND TOLERANCING.

↑
These notes shall be placed on a static annotation plane (the plane does not rotate with the model).

The intent of ATC50 is to test systems' support for static annotation planes.

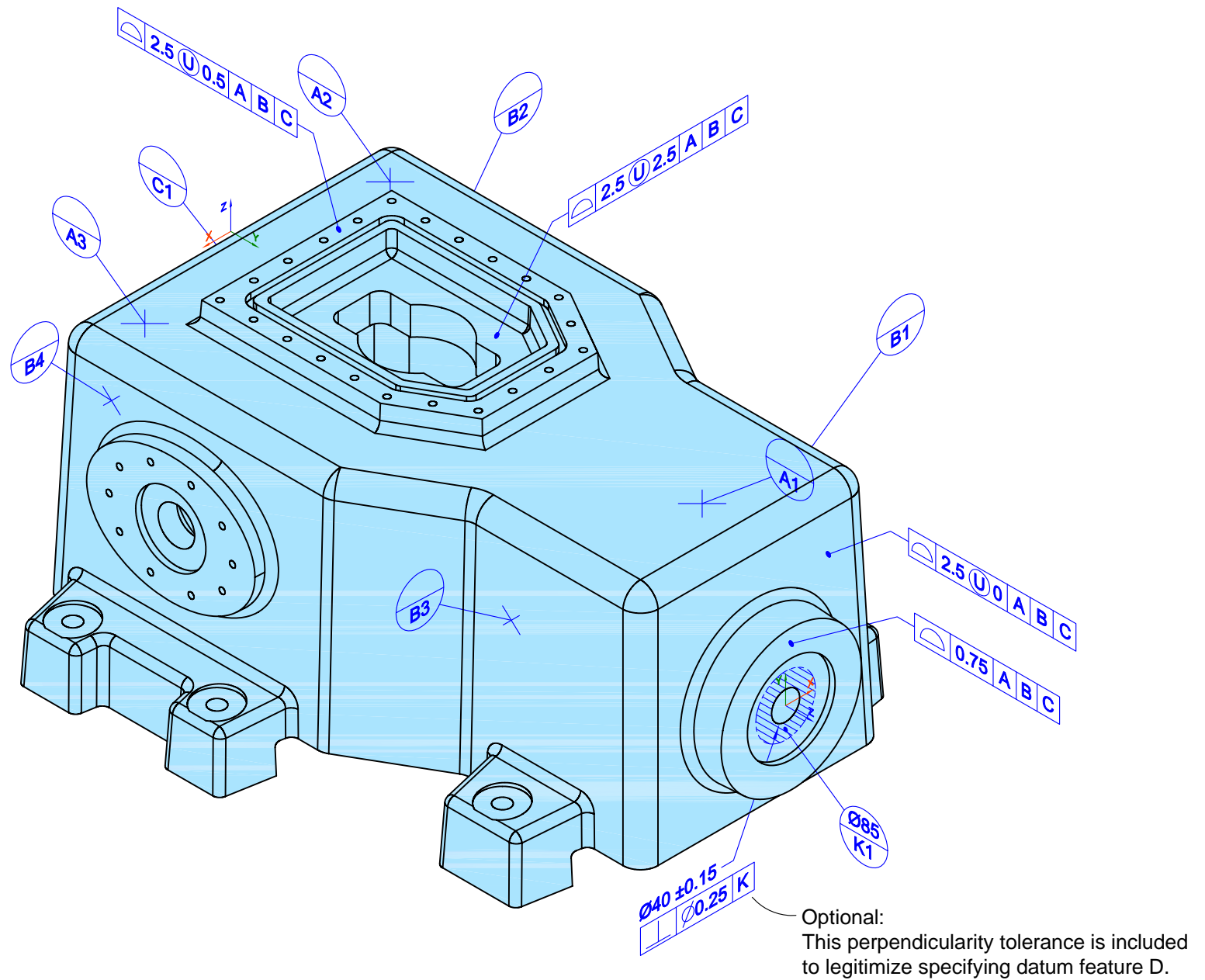
Including a feature control frame in a general note will be a test case in the next round of testing.



PMI Complex Test Case 2 - View 1 (of 3)
Includes Atomic Test Cases - 28, 29, 43, 47, 50

NIST PMI Test Models - 2012

Test Model 2



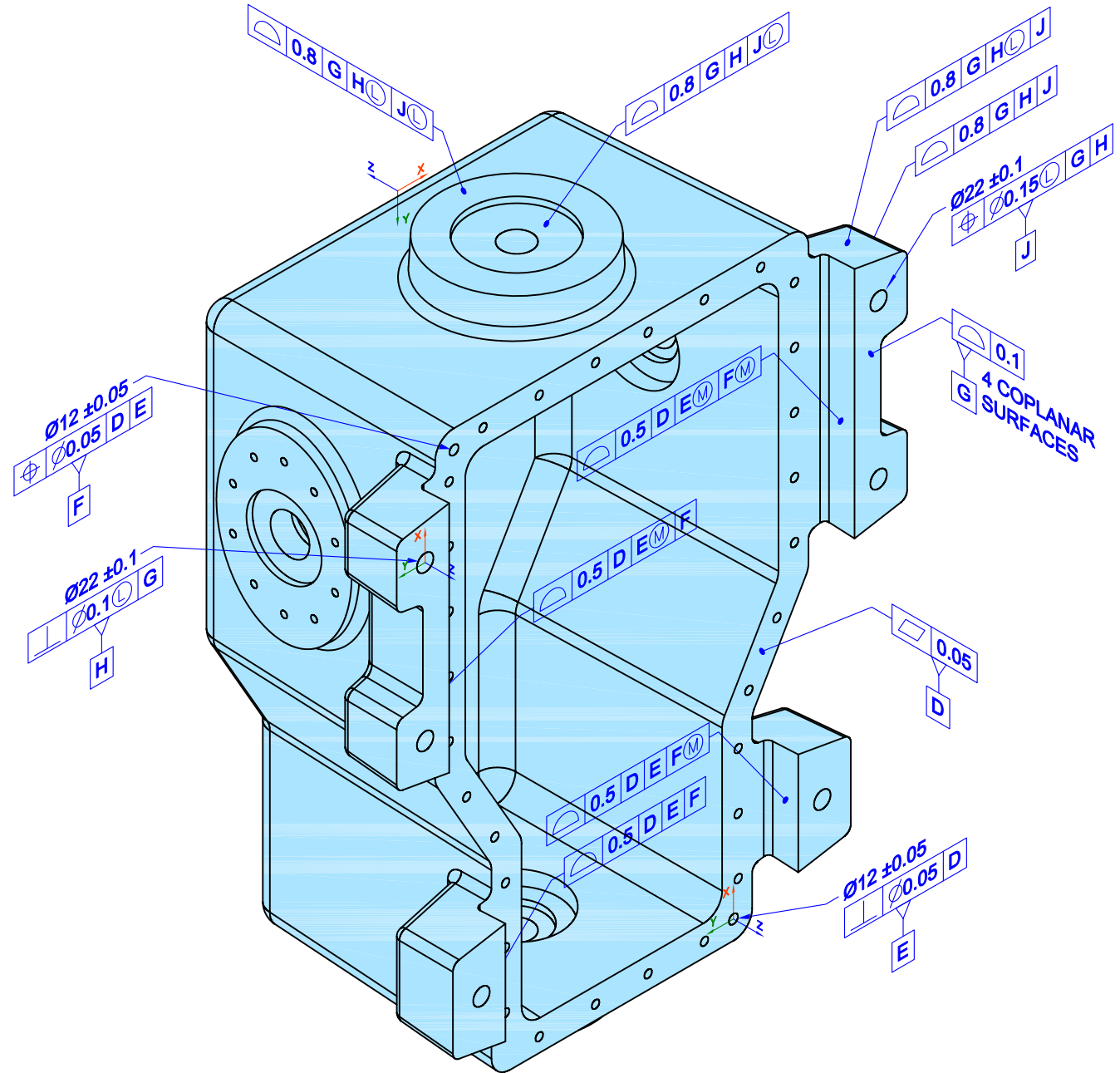
PMI Complex Test Case 2 - View 2 (of 3)
Includes Atomic Test Cases - 26, 31, 41

NIST PMI Test Models - 2012

Test Model 2

Optional:

The geometric tolerances applied to datum features D, E, F, G, H, and J are not required for the test case. However, the geometric tolerances applied to datum features E, F, H, and J help to legitimize the modifiers applied to the datum feature references in the geometric tolerances related to D|E|F and G|H|J. The tolerances are mainly important in calculating the MMC virtual condition or LMC virtual condition of the datum feature simulators for E, F, H, and J. The geometric tolerances specified at LMC for datum features H and J are particularly important, as they also make it easier to understand the LMC virtual condition of the datum features, as a geometric tolerance specified at LMC changes Rule #1 to require perfect form at LMC instead of MMC.



PMI Complex Test Case 2 - View 3 (of 3)
Includes Atomic Test Cases - 34, 35

Rev C